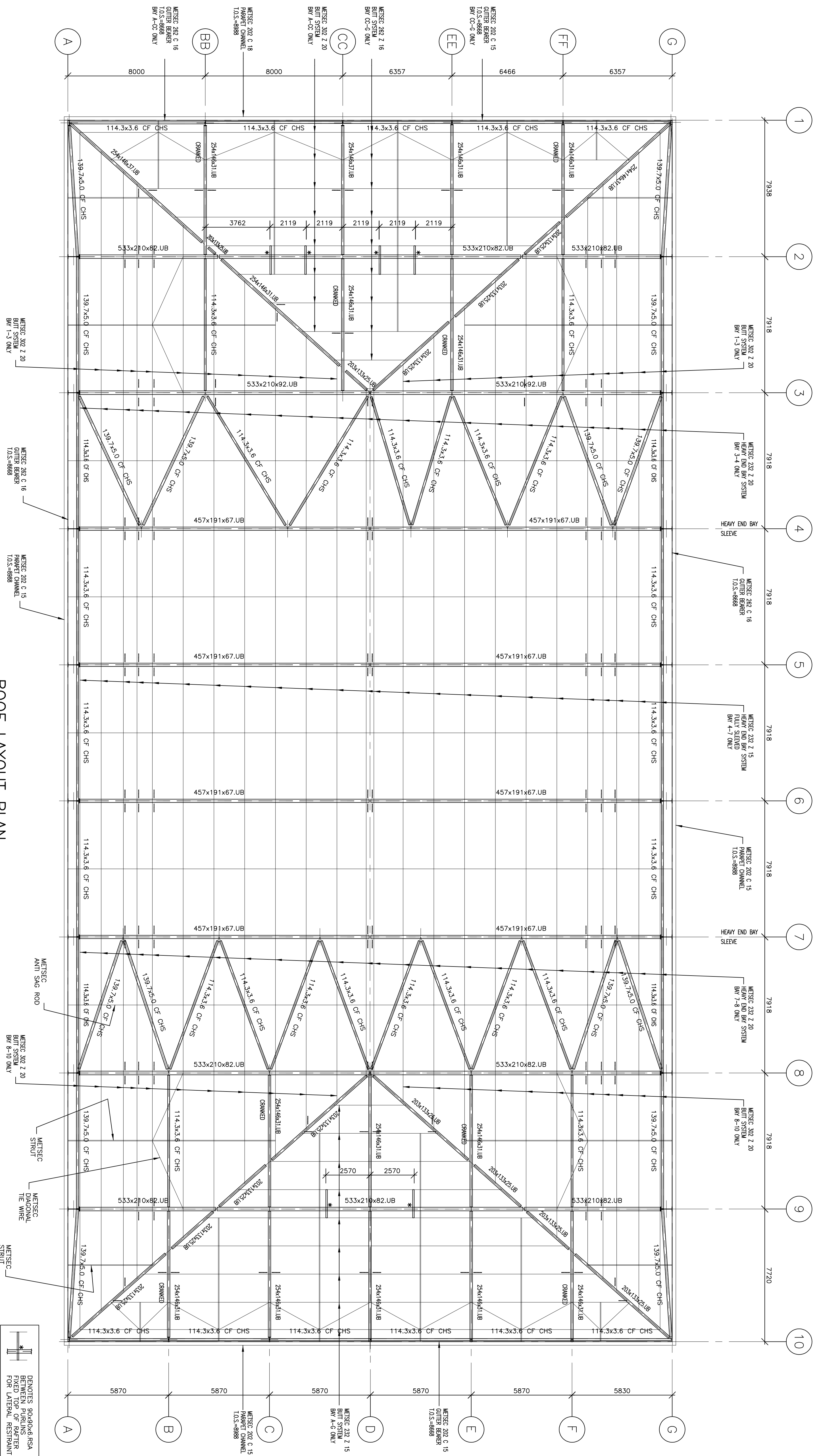
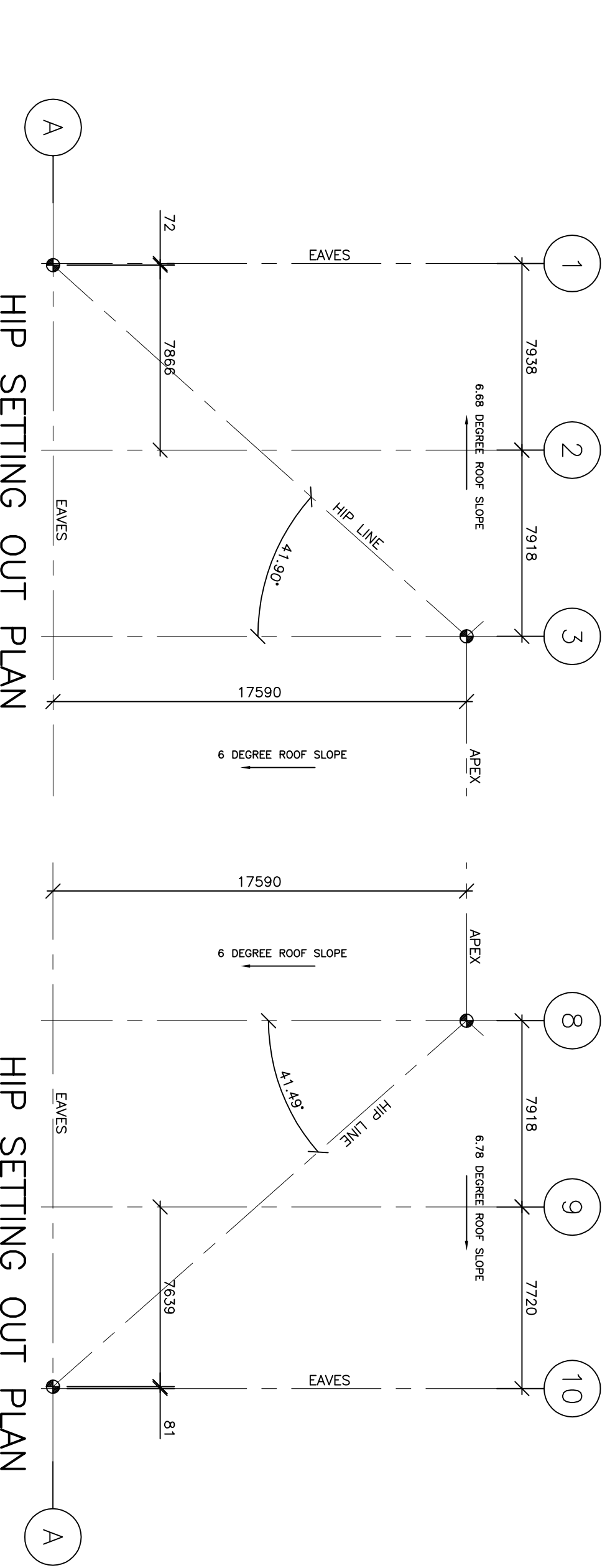


DO NOT SCALE - IF IN DOUBT ASK

NOTE:  
SECTION SIZES 254x146 UB'S  
AND SMALLER TO BE GRADE S275

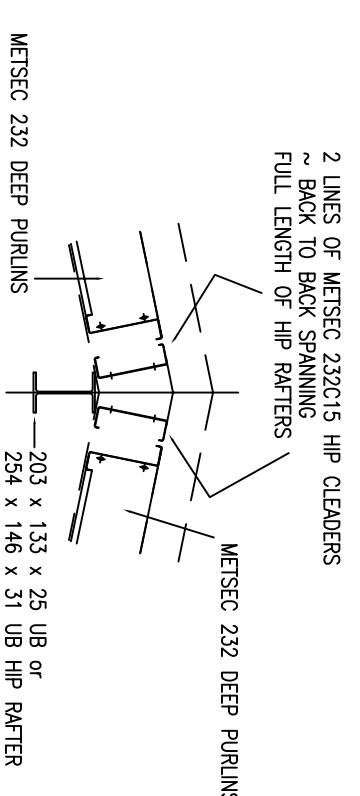


ROOF LAYOUT PLAN

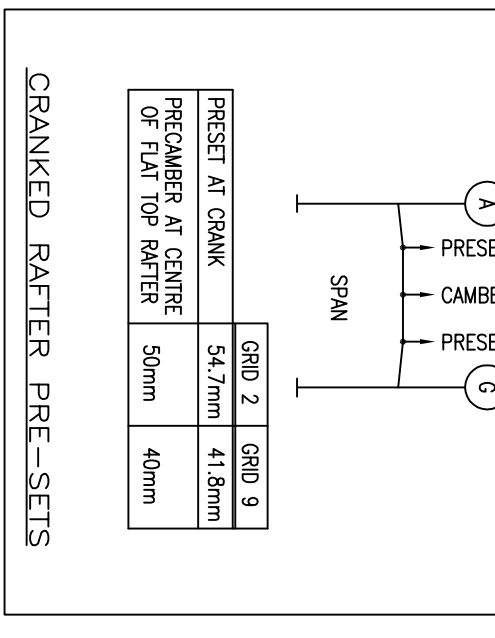
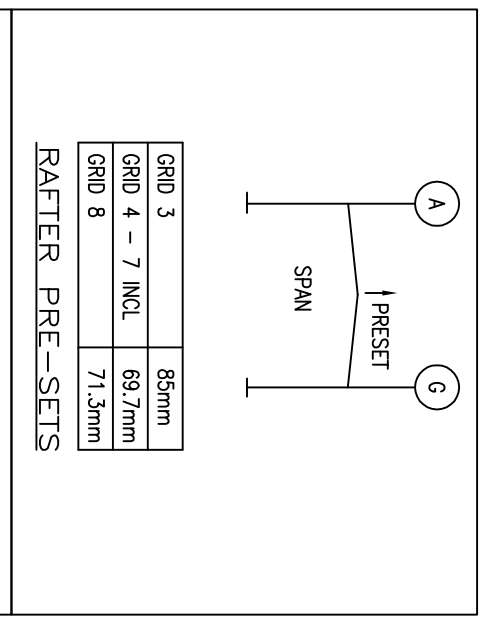


HIP SETTING OUT PLAN

HIP SETTING OUT PLAN



TYPICAL HIP SECTION



STEEL GRADES  
ALL HOT ROLLED STEELWORK IS GRADE  
S355JR UNLESS NOTED OTHERWISE.

NOTES

REV	DESCRIPTION	DATE	CHKD
B	CONSTRUCTION ISSUE	06.03.07	
A	PORTAL PRESETS ADDED	24.04.07	



DRAWING STATUS: **CONSTRUCTION ISSUE**  
 DRAWN : D.Holden  
 DATE : April 2007  
 SCALE : 1:125  
 CHKD : IM

TITLE  
 UNIT 2  
 ROOF LAYOUT PLAN

CONTRACT  
 ALPHA 2, PLOT 9  
 HAMS HALL

CONTRACT No. 1607  
 DRAWING No. GA 003  
 REV : B

THIS DRAWING IS COPYRIGHT. IT IS SENT TO YOU IN CONFIDENCE. IT MUST NOT BE COPIED, USED OR DISCLOSED TO THIRD PARTIES WITHOUT OUR PERMISSION. IF REMAINS OUR PROPERTY AND MUST BE RETURNED ON REQUEST.